



Features & Options

- Delta Style Enclosure with Display
- Optional Slider or Pushbutton Setpoint Adjustment
- Optional Occupancy Override with LED Indication
- Optional Communication Jack
- Wide Selection of Temperature Sensing Elements

The R_μP and R_μPS units come in the popular Delta Style Enclosure with LCD. They provides local indication of temperature with pushbutton or slider Setpoint Adjustment and optional Override with LED and Communications Jack.

This unit is also available with Fan Speed and Mode Control for applications with Fan Coils, Heat Pumps or Unit Ventilators.



R_μP (above)
and R_μPS
(right)

Specifications

Power R_μP:

7 to 35 VDC (15 to 24 VDC recommended)
12 to 30 VAC (requires a separate pair of shielded wires)

Power R_μPS:

9 to 40 VDC (15 to 24 VDC recommended)
15 to 28 VAC (Requires a separate pair of shielded wires)

Power Consumption:

10 mA max. DC, .2 VA maximum AC

Sensing Element:

Thermistor or RTD (See Sensors Sect. for Specs.)

Mounting:

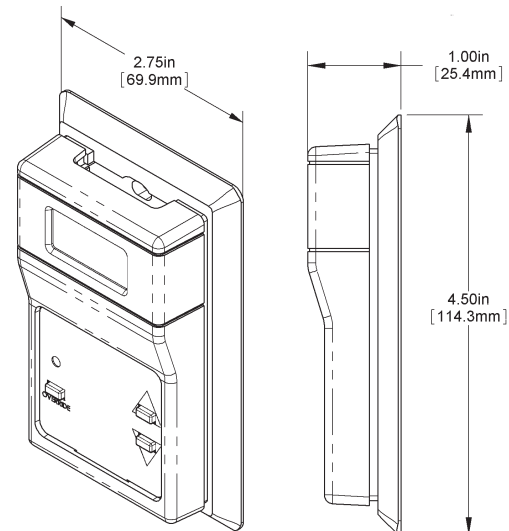
Standard 2"x4" J-box or drywall mount (screws provided)

Environmental Operation Range:

Temp: 32 to 122 °F (0 to 50 °C)
Humidity: 0 to 95%, non-condensing

Enclosure Material & Rating:

ABS Plastic, UL94 HB



*BAPI recommends that you do not run wiring for the Room Units in the same conduit as line voltage wiring or with wiring used to supply highly inductive loads such as motors, generators and coils.

Associated Products

The BAPI-Guard

Prevents tampering, physical damage and unauthorized adjustment of thermostats. Available in two sizes to fit most thermostats.



VC350A "EZ" - Voltage Converter

BAPI recommends using DC power on room units for a more stable reading. Our 350mA "EZ" unit is a perfect way to convert 24 VAC to 5, 12, 15 or 24 VDC.





Submittal sheets without List Prices are available on our website at www.bapihvac.com

Use the Option Selection Guide below to create your custom part number. Replace the number and parenthesis with the designator for each selection. Omit the designator and dashes for optional selections that are not required in your configuration.



RuP & RuPS Option Selection Guide:

BA/ (#1) - (#2) - (#3) (#4) - (#5) - (#6) - (24) - (#8) - (#9) - (CG)

#1: Room Sensor Style (required)

RuP..... Pushbutton Setpoint..... \$125

RuPS Slider Setpoint Adjustment..... \$125

#2: °F or °C Display (required)

F Temperature Displayed in °F

C Temperature Displayed in °C

#3: Setpoint Display Range (optional)

A -3 to +3

B -5 to +5

C 50 to 90 °F or 10 to 32 °C

D 55 to 85 °F or 13 to 30 °C

E 60 to 80 °F or 15 to 27 °C

F 65 to 80 °F or 18 to 27 °C

#4: Setpoint Output Range (optional)

00..... 0 to 5 V

10..... 0 to 10 V

60..... 0 to 10 kΩ

80..... 0 to 20 kΩ

81..... 4.75 k to 24.75 kΩ

82..... 6.19 k to 26.19 kΩ

84..... 10 k to 30 kΩ

#5: Occupant Override (required)

J..... Override as a Separate Output

N..... Override in Parallel (//) with Sensor

P..... Override in Parallel (//) with Setpoint

Z No Override

#6: Communication Jack (optional)

C35L..... 3.5 mm Phono Style Jack \$10

#7: Operating Power (required)

24..... 9 to 40 VDC or 15 to 28 VAC

#8: Temperature Sensor (required)

1375..... 1K Platinum RTD (375 curve)

1NI 1K Ω Nickel RTD \$9

1..... 1K Platinum RTD (385 curve)

18..... 1.8K Thermistor

3..... 3K Thermistor

102..... 10K-2 Thermistor

103..... 10K-3 Thermistor

10311.... 10K-3[11K] Thermistor

20..... 20K Thermistor

#9: Setpoint Lockout

(required for RuP Units, not available for RuPM)

NL No Setpoint Lockout

SL Setpoint Lockout Enabled

#10: Common Ground Config. (required)

CG Common Ground

Additional options including Fan Speed and Mode Control are available for these units but not shown in this Selection Guide. Contact your BAPI representative for the complete list of options. Submittal sheets without List Prices can be downloaded from our website at www.bapihvac.com

Example Number: BA/ (RuP) - (F) - (E) (80) - (N) - (C35L) - (24) - (102) - (NL) - (CG)

Actual Number (with parenthesis removed): BA/BS4M-F-E80-N-C35L-24-102-NL-CG

Description: RuP Unit with Pushbutton Setpoint, °F Display, 60 to 80°F Setpoint Display Range, 0 to 20KΩ Setpoint Output Range, Override in Parallel with Sensor, 3.5mm Phono Style Comm. Jack, 24V Operating Power, 10K-2 Thermistor Temperature Sensor, No Setpoint Lockout, Common Ground Config.

List Price: \$125 (RuP) + \$10 (Comm. Jack) = \$135 List Price

Your Number: BA/

