



Features & Options

- Patented Enclosure Style with Large Display
- Robust Tactile Pushbuttons
- Setpoint Adjust (Slider or Pushbutton)
- Optional Override, Fan Speed & Mode Control
- Optional Communication Jack and Test & Balance

The patented BAPI-Stat 4 Style Enclosure features a large LCD with all the visual indicators on the display itself. It provides local indication of Temperature and Setpoint with Setpoint Adjust and Override.

It also has optional Fan Speed and Mode Control for applications with Fan Coils, Heat Pumps or Unit Ventilators. The Setpoint is available as a slidepot or as pushbuttons and is displayed on the LCD for a short time after an adjustment.

The Override is a momentary signal that can be configured in parallel with the sensor or setpoint, or as a separate output or a latching switch. An optional 3.5mm (1/8"), RJ11 or RJ22 Communication Jack can be mounted in the base to provide direct access to the network.



**BAPI-Stat 4
Units
(with Warm
White and
Gray Logo
Plate)**

Specifications

Power for 24VDC Power Units:

0 to 5 VDC Setpoint or Resistive Setpoint 9 to 40 VDC (24 VDC nominal)
 0 to 10 VDC Setpoint or Resistive Setpoint ... 15 to 40 VDC (24 VDC nominal)
 Any Allowed Setpoint..... 15 to 28 VAC (24 VAC nominal)

Note: AC power requires a separate pair of shielded wires.

Power Consumption: 7 mA max DC; .17 VA max AC

Sensing Element:

Thermistor or RTD (See Sensors Sect. for Specs.)

Wiring: 2 to 4 pair of 16 to 22AWG*

Communication Jack:

Optional 3.5mm (1/8") Phono Jack

Mounting:

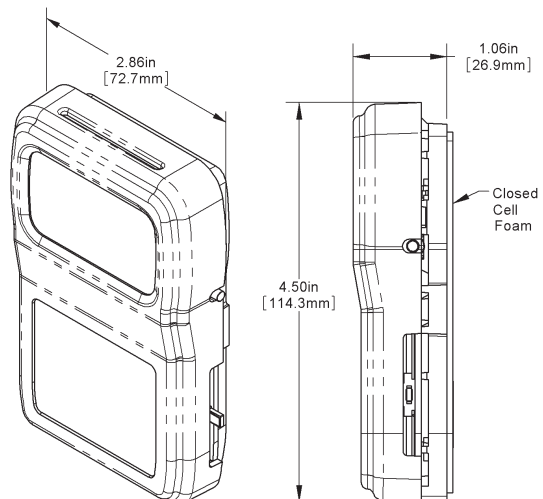
Standard 2x4" J-box or drywall mount (screws provided)

Environmental Operation Range:

Temperature: 32 to 122 °F (0 to 50 °C)

Humidity: 0 to 95%, non-condensing

Agency: RoHS & CE



*BAPI recommends that you do not run wiring for the Room Units in the same conduit as line voltage wiring or with wiring used to supply highly inductive loads such as motors, generators and coils. Also, these units are not designed for line voltage applications.





BAPI-Stat 4™ Room Unit with Display

Temperature Sensors

Submittal sheets without List Prices are available on our website at www.bapihvac.com

Use the Option Selection Guide below to create your custom part number. Replace the number and parenthesis with the designator for each selection. Omit the designator and dashes for optional selections that are not required in your configuration.



BAPI-Stat 4 Option Selection Guide:

BA/ (#1) (#2) - (#3) (#4) - (#5) - (#6) - (24) - (#8) - (CG) - (#10)

#1: Room Sensor Style (required)

BS4M.... BAPI-Stat 4, Pushbutton Setpoint...\$125

BS4S BAPI-Stat 4, Slider Setpoint.....\$125

#2: °F or °C Display (required)

F Temperature Displayed in °F

C Temperature Displayed in °C

#3: Setpoint Display Range (optional)

A -3 to +3

B -5 to +5

C 50 to 90 °F or 10 to 32 °C

D 55 to 85 °F or 13 to 30 °C

E 60 to 80 °F or 15 to 27 °C

F 65 to 80 °F or 18 to 27 °C

#4: Setpoint Output Range (optional)

00..... 0 to 5 V

10..... 0 to 10 V

60..... 0 to 10 kΩ

80..... 0 to 20 kΩ

81..... 4.75 k to 24.75 kΩ

82..... 6.19 k to 26.19 kΩ

84..... 10 k to 30 kΩ

#5: Occupant Override (required)

J..... Override as a Separate Output

N..... Override in Parallel (//) with Sensor

P..... Override in Parallel (//) with Setpoint

Z No Override

#6: Communication Jack (optional)

C35L..... 3.5 mm Phono Style Jack\$10

#7: Operating Power (required)

24..... 9 to 40 VDC or 15 to 28 VAC

#8: Temperature Sensor (required)

1375..... 1K Platinum RTD (375 curve)

1NI..... 1K Ω Nickel RTD\$9

1..... 1K Platinum RTD (385 curve)

18..... 1.8K Thermistor

3..... 3K Thermistor

102..... 10K-2 Thermistor

103..... 10K-3 Thermistor

10311.... 10K-3[11K] Thermistor

20..... 20K Thermistor

#9: Common Ground Config. (required)

CG Common Ground

#10: Logo Plate Color (required)

WMW.... Warm White (matches enclosure)

GRY..... Gray

Additional options including Fan Speed and Mode Control are available for these units but not shown in this Selection Guide. Contact your BAPI representative for the complete list of options. Submittal sheets without List Prices can be downloaded from our website at www.bapihvac.com

Example Number:

BA/ (**BS4M**) (**F**) - (**E**) (**80**) - (**N**) - (**C35L**) - (**24**) - (**102**) - (**CG**) - (**WMW**)

Actual Number (with parenthesis removed): BA/BS4MF-E80-N-C35L-24-102-CG-WMW

Description: BAPI-Stat 4 with Pushbutton Setpoint, °F Display, 60 to 80°F Setpoint Display Range, 0 to 20KΩ Setpoint Output Range, Override in Parallel with Sensor, 3.5mm Phono Style Comm. Jack, 24V Operating Power, 10K-2 Thermistor Temperature Sensor, Common Ground Config., Warm White Logo Plate Color

List Price: \$125 (BAPI-Stat 4M) + \$10 (Comm. Jack) = \$135 List Price

Your Number: BA/

