



Features & Options

The Beck Adjustable Pressure Switch is designed for monitoring overpressure, vacuum and differential pressure of air or other non-combustible, non-aggressive gases.

A field-adjustable dial allows you to select any trip value within each pressure range. Tubing and two total tubes included.

Possible fields of application include:

- Monitoring air filters and fan status
- Monitoring industrial cooling-air circuits
- Monitoring flows in ventilation ducts
- Used as an air flow proving switch for heater control and frost prevention circuits



Pressure Switch and included Probes and Tubing

Ordering Information

Part Number	Pressure Range	Repeatability
BA/APSW1	0.08 TO 1.2" WC / 20 TO 300 Pa	±5% / min. ±0.2" WC (±5 Pa)
BA/APSW2	0.2 TO 2" WC / 50 TO 500 Pa	±2.5% / min. ±0.2" WC (±5 Pa)
BA/APSW3	0.8 TO 4" WC / 200 TO 1,000 Pa	±1% / min. ±0.2" WC (±5 Pa)

Specifications

Burst Pressure: 40" WC (10 kPa) for all pressure ranges

Medium: Air, non-combustible and non-aggressive gases

Operating Temperature: -4° to +185°F (-20 to +85°C)

Storage Temperature: -40°F to +185°F (-40 to +85°C)

Accuracy:

Deviation: $\pm 15\%$, min. ± 0.04 " WC (± 10 Pa) • Drift: $\pm 15\%$

Diaphragm Material:

Silicone, tempered at 392°F (200°C), free of gas emissions

Pressure Connections:

2 plastic pipe connection pieces, external dia. 0.24" (6mm)

Marked "+" to higher pressure, marked "-" to lower pressure

Body and Cover Material: UV-resistant plastic

Mechanical Working Life: Over 1,000,000 switching operations

Electrical Rating:

0.4A Inductive, 250 VAC • 1.5A Resistive, 250 VAC

0.8A Inductive, 125 VAC • 3.0A Resistive, 125 VAC

0.4A, 30VDC • 0.1A, 24 VDC

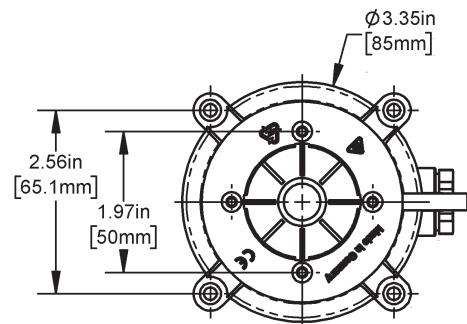
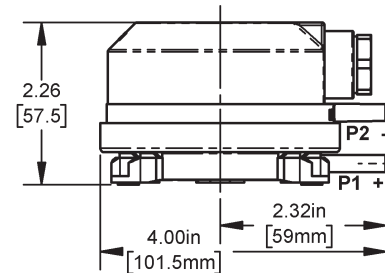
Electrical connections:

1/4" Spade Plug (AMP flat plug), 0.25" x 0.03" (6.3 x 0.8mm) in accordance with DIN 46244 or push-on screw terminals included

Protection Category: IP54 with cover (protection against dust and splashing water)

CE Conformity: Each depending on technical specification

Low Voltage Directive 2006/95/EC; RoHS Directive 2011/65/EC; ANSI UL508; CSA



Gray shaded items follow the Buy and Resale Multiplier.

