



Features & Options

The Beck Adjustable Pressure Switch is designed for monitoring overpressure, vacuum and differential pressure of air or other non-combustible, non-aggressive gases.

A field-adjustable dial allows you to select any trip value within each pressure range. Tubing and two total tubes included.

Possible fields of application include:

- Monitoring air filters and fan status
- Monitoring industrial cooling-air circuits
- Monitoring flows in ventilation ducts
- Used as an air flow proving switch for heater control and frost prevention circuits



Pressure Switch and included Probes and Tubing

Ordering Information

Part Number	Pressure Range	Repeatability	List Price
BA/APSW1	0.08 TO 1.2" WC / 20 TO 300 Pa	±5% / min. ±.02" WC (±5 Pa)	\$25
BA/APSW2	0.2 TO 2" WC / 50 TO 500 Pa	±2.5% / min. ±.02" WC (±5 Pa)	\$25
BA/APSW3	0.8 TO 4" WC / 200 TO 1,000 Pa	±1% / min. ±.02" WC (±5 Pa)	\$25

Specifications

Burst Pressure: 40" WC (10 kPa) for all pressure ranges

Medium: Air, non-combustible and non-aggressive gases

Operating Temperature: -4° to +185°F (-20 to +85°C)

Storage Temperature: -40°F to +185°F (-40 to +85°C)

Accuracy:

Deviation: $\pm 15\%$, min. ± 0.04 " WC (± 10 Pa) • Drift: $\pm 15\%$

Diaphragm Material:

Silicone, tempered at 392°F (200°C), free of gas emissions

Pressure Connections:

2 plastic pipe connection pieces, external dia. 0.24" (6mm)

Marked "+" to higher pressure, marked "-" to lower pressure

Body and Cover Material: UV-resistant plastic

Mechanical Working Life: Over 1,000,000 switching operations

Electrical Rating:

0.4A Inductive, 250 VAC • 1.5A Resistive, 250 VAC

0.8A Inductive, 125 VAC • 3.0A Resistive, 125 VAC

0.4A, 30VDC • 0.1A, 24 VDC

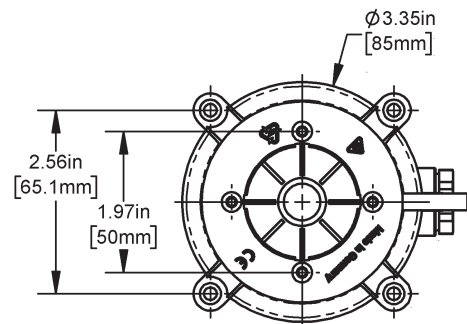
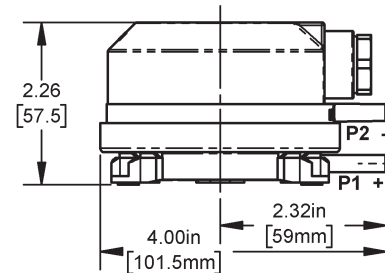
Electrical connections:

1/4" Spade Plug (AMP flat plug), 0.25" x 0.03" (6.3 x 0.8mm) in accordance with DIN 46244 or push-on screw terminals included

Protection Category: IP54 with cover (protection against dust and splashing water)

CE Conformity: Each depending on technical specification

Low Voltage Directive 2006/95/EC; RoHS Directive 2011/65/EC; ANSI UL508; CSA



Gray shaded items follow the Buy and Resale Multiplier.

