



Features & Options

- 10 Pressure Ranges & Three Outputs – All Field Selectable
- Standard Range (-5 to +5 WC or -1,250 to +1,250 Pascals) or Low Range (-1.0 to +1.0 WC or -250 to +250 Pascals)
- Free NIST Certificate Included with Each Pressure Unit
- Snaptrack, DIN Rail or Surface Mounting

Measuring building pressure, air velocities and volumes doesn't get any easier than with the BAPI EZ Pressure Sensor. The revolutionary mounting system allows for 2.75" snaptrack, DIN rail or surface mounting, and the three Outputs and 10 Pressure Ranges are field selectable by simply turning the rotary switch and pressing the "Next" button.

Besides being easy to set up and install, it is also accurate, rugged and economical. The heart of the unit is a micro-machined silicon pressure sensor with excellent accuracy, repeatability and stability. The unit also features short circuit proof outputs and reverse polarity protected inputs to perform under real world conditions.

The LCD display helps with troubleshooting because it displays the actual differential pressure over the entire operational range regardless of which individual pressure range is selected for output to the system controller.



EZ Pressure Sensor

5
YEAR
WARRANTY

Specifications

Power:

7 to 40 VDC (4 to 20 mA Output)
7 to 40 VDC or 18 to 28 VAC (0 to 5 VDC Output)
13 to 40 VDC or 18 to 28 VAC (0 to 10 VDC Output)

Power Consumption:

20 mA max, DC only at 4 to 20 mA Output
4.9 mA max DC at 0 to 5 or 0 to 10 VDC Output
0.12 VA max AC at 0 to 5 or 0 to 10 VDC Output

Load Resistance:

4 to 20 mA Output 850 Ω Maximum @ 24 VDC
0 to 5 VDC or 0 to 10 VDC output 1KΩ minimum

Accuracy for Standard Pressure Ranges at 72°F:

±0.25% of range

Accuracy for Low Pressure Ranges at 72°F:

±0.5% of range for the three lowest unidirectional and bidirectional ranges

±0.25% of range all other ranges

Stability: ±0.25% F.S. per year

Environmental Operation Range:

14°F to 140°F (-10°C to 60°C)

Storage Temperature: -40 to 203°F (-40 to 95°C)

Temperature Error for Standard Ranges:

0.01% FS/°F (0.02% FS/°C)
(±5.0" W.C. @ 14 to 140°F [-10 to 60°C])

Temperature Error for Low Ranges:

0.04% FS/°F (0.07% FS/°C)
(±1.0" W.C. @ 14 to 140°F [-10 to 60°C])

Overpressure: Proof: 27.68" W.C. (1 PSI),
Burst: 41.52" W.C. (1.5 PSI)

Wiring: Removable terminal block (14 to 24 AWG)*
2 wires (4 to 20mA Current loop)*
3 wires (AC or DC powered, Voltage out)*

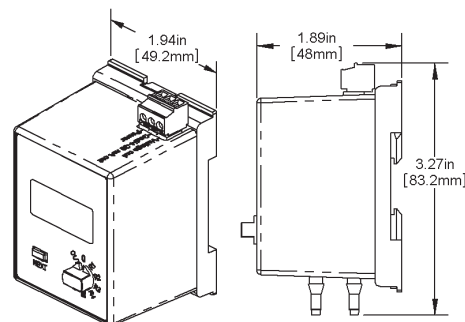
Humidity: 0 to 95% RH, non-condensing

Port Connection: 1/4" tubing (1/8" to 3/16" I.D.)

Enclosure Material: ABS Plastic, UL94, V-0

Mounting:

DIN Rail, Snaptrack or Surface Mountable



*BAPI recommends that you do not run wiring for the pressure transmitter in the same conduit as line voltage wiring or with wiring used to supply highly inductive loads such as motors, generators and coils.





EZ Pressure Sensor (Standard and Low Ranges)

Zone Pressure Sensors (ZPS)

Datasheets without List Prices are available on our website at www.bapihvac.com

Ordering Information (for units without a factory specified range or output)

PART NUMBER	DESCRIPTION	LIST PRICE
ZPS-SR-EZ-NT-INStandard Range Unit, Inches WC, Display, No Tube or Probe included	\$320
ZPS-SR-EZ-NT-PAStandard Range Unit, Pascals, Display, No Tube or Probe included	\$320
ZPS-SR-EZ-ST-INStandard Range Unit, Inches WC, Display with Static Pressure Probe	\$320
ZPS-SR-EZ-ST-PAStandard Range Unit Pascals, Display with Static Pressure Probe	\$320
ZPS-LR-EZ-NT-INLow Range Unit, Inches WC, Display, No Tube or Probe included	\$320
ZPS-LR-EZ-NT-PALow Range Unit, Pascals, Display, No Tube or Probe included	\$320
ZPS-LR-EZ-ST-INLow Range Unit, Inches WC, Display with Static Pressure Probe	\$320
ZPS-LR-EZ-ST-PALow Range Unit Pascals, Display with Static Pressure Probe	\$320

Note: Pressure Range and Output Range for these units will be selected in the field.

For units with a factory specified range or output, use Selection Guide below

Standard and Low Range EZ Pressure Option Selection Guide

ZPS - (#1) - (#2) - (#3) - (#4)

#1: Pressure Output (required)

- 20..... 4 to 20 mA
- 05..... 0 to 5 V
- 10..... 0 to 10 V

#2: Pressure Range (required)

LOW RANGES

WC Ranges

- LR51.. 0 to 0.10
- LR52.. 0 to 0.25
- LR53.. 0 to 0.50
- LR54.. 0 to 0.75
- LR55.. 0 to 1.00
- LR56.. -0.10 to 0.10
- LR57.. -0.25 to 0.25
- LR58.. -0.50 to 0.50
- LR59.. -0.75 to 0.75
- LR60.. -1.00 to 1.00

Pascal Ranges

- LR61..... 0 to 30
- LR62..... 0 to 50
- LR63..... 0 to 100
- LR64..... 0 to 175
- LR65..... 0 to 250
- LR66..... -30 to 30
- LR67..... -50 to 50
- LR68..... -100 to 100
- LR69..... -175 to 175
- LR70..... -250 to 250

Custom Ranges are available for these units. Contact your BAPI representative for ordering. Submittal sheets without List Prices can be downloaded from our website at www.bapihvac.com

#2: Pressure Range continued...

STANDARD RANGES

WC Ranges

- SR71.. 0 to 1.00
- SR72.. 0 to 2.00
- SR73.. 0 to 2.50
- SR74.. 0 to 3.00
- SR75.. 0 to 5.00
- SR76.. -1.00 to 1.00
- SR77.. -2.00 to 2.00
- SR78.. -2.50 to 2.50
- SR79.. -3.00 to 3.00
- SR80.. -5.00 to 5.00

Pascal Ranges

- SR81..... 0 to 250
- SR82..... 0 to 300
- SR83..... 0 to 500
- SR84..... 0 to 1,000
- SR85..... 0 to 1,250
- SR86..... -250 to 250
- SR87..... -300 to 300
- SR88..... -500 to 500
- SR89.. -1,000 to 1,000
- SR90.. -1,250 to 1,250

#3: Static Pressure Tube (required)

- EZ-NT.. No Tube included
- EZ-ST.. Static Pressure Tube included

#4: Display (optional)

- D..... LCD (See Note below)

Note: The display is always present. If you do not select the display option, the display will show the word "On" rather than the current pressure.

Example Number: ZPS - (05) - (SR72) - (EZ-ST) - (D)

Actual Number (with parenthesis removed): ZPS-05-SR72-EZ-ST-D

Description: 0 to 5 V Output, 0 to 2" WC Pressure Range, EZ Unit with Static Tube and Display.

List Price: \$320 for all units

Your Number: ZPS-

