



### Features & Options

- Easy to Access Field Adjustable Setpoint from 0.1" to 35" W.C.
- UL 353 Listing So the Unit Can Be Used for Safety Controls
- 5 Amp Silver Contacts
- Built In Pressure Snubber for More Stable Readings

The BAPI Differential Pressure Switch is ideal for air filter monitoring, static pressure proving, airflow proving or auxiliary fan actuation. Because of its UL 353 Limit Control Listing, the BAPI Switch can be used in safety circuits to protect heating appliances, heating systems, processing systems and HVAC/R systems.

The setpoint is field adjustable from 0.1" to 35" W.C, and the unit can measure positive pressure, vacuum or true differential pressure. The seven pressure ranges are field selectable by changing a color-coded spring. The spring for the range that you order is preinstalled, and the other six springs are shipped with the unit so that you can change ranges in the field if you choose.


The unit features a rugged plastic enclosure that protects the electrical terminations and pressure adjustment screw which is easily accessed through a port in the front cover using a square screwdriver bit (BA/SQ1BIT). The quick connect wiring terminations are accessed by opening the hinged cover. The unit is very compact and can be mounted directly on a flat surface with the rugged mounting feet, and the pressure barbs accept 3/16" or 1/4" tubing.

The unit also features an extremely high proof pressure of 100" W.C. so that it will continue to function properly even if it is accidentally connected to an unusually high or low pressure.



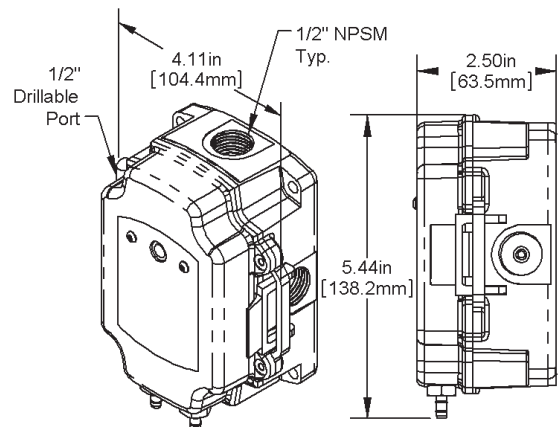
**Differential Pressure Switch**

### Ordering Information

Part Number	Description
ZPS-SW1:	Differential Pressure Switch, 0.12" to 0.52" W.C. (30 Pa to 130 Pa)
ZPS-SW2:	Differential Pressure Switch, 0.40" to 1.40" W.C. (100 Pa to 350 Pa)
ZPS-SW3:	Differential Pressure Switch, 1.20" to 2.40" W.C. (300 Pa to 600 Pa)
ZPS-SW4:	Differential Pressure Switch, 2.40" to 6.42" W.C. (600 Pa to 1,600 Pa)
ZPS-SW5:	Differential Pressure Switch, 5.22" to 12.84" W.C. (1,300 Pa to 3,200 Pa)
ZPS-SW6:	Differential Pressure Switch, 11.64" to 23.68" W.C. (2,900 Pa to 5,900 Pa)
ZPS-SW7:	Differential Pressure Switch, 21.68" to 35.32" W.C. (5,400 Pa to 8,800 Pa)
BA/SQ1BIT:	Square Screwdriver Bit to turn the Pressure Adjustment Screw 

### Specifications

- Measurement Media:** Air, Combustion Gases
- Operating Temperature:** -40 to 185°F (-40 to 85°C)
- Operating Humidity:** 5 to 95% RH non-condensing
- Contact Ratings:**
  - 28 VA pilot duty, 24 VAC
  - 1/10 HP, 120-277 VAC
  - 125 VA Pilot Duty, 125 VAC
  - 2.5 A Inductive, 125 VAC
  - 5 A Resistive, 125 VAC
  - 0.1 A, 30 VDC
- Proof Pressure:** 100" W.C. (3.6 PSI, 24,900 Pa)
- Pressure Ports:** 1/4" Barbed Fittings
- Switch Type:** SPDT (Silver Contacts)
- Limit Controls:** UL 353 Listed
- Repeatability:** <10% of Setting
- Hysteresis:** 0.07 to 0.09 Inch W.C. For All Ranges



**Differential Pressure Switch**





Datasheets without List Prices are available on our website at [www.bapihvac.com](http://www.bapihvac.com)

### Ordering Information

<u>PART NUMBERS</u>	<u>DESCRIPTION</u>	<u>LIST PRICE</u>
ZPS-SW1:	Differential Pressure Switch, 0.12" to 0.52" W.C. (30 Pa to 130 Pa)	\$84
ZPS-SW2:	Differential Pressure Switch, 0.40" to 1.40" W.C. (100 Pa to 350 Pa)	\$84
ZPS-SW3:	Differential Pressure Switch, 1.20" to 2.40" W.C. (300 Pa to 600 Pa)	\$84
ZPS-SW4:	Differential Pressure Switch, 2.40" to 6.42" W.C. (600 Pa to 1,600 Pa)	\$98
ZPS-SW5:	Differential Pressure Switch, 5.22" to 12.84" W.C. (1,300 Pa to 3,200 Pa)	\$98
ZPS-SW6:	Differential Pressure Switch, 11.64" to 23.68" W.C. (2,900 Pa to 5,900 Pa)	\$98
ZPS-SW7:	Differential Pressure Switch, 21.68" to 35.32" W.C. (5,400 Pa to 8,800 Pa)	\$98
BA/SQ1BIT:	Square Screwdriver Bit to turn the Pressure Adjustment Screw	*\$1

\*Net Price - multipliers do not apply on the Square Screwdriver Bit.

Note: If you are using metal tubing, add "-PIB" to the end of the part number so that the High and Low Pressure ports will be located in the base of the unit rather than in the hinged cover.

## Wall & Ceiling Pressure Pickup Ports

*Wallplates and BAPI-Stat "Quantum" Style units available as pressure pickups alone or as combination pressure pickup and temperature sensor*

Room pressure pickup ports are available as a Wall Plate or a BAPI-Stat "Quantum" enclosure, both sized to fit a common 2" x 4" electrical box. A foam gasket seals the plate or enclosure to the wall. These units are available as a pickup alone or with a temperature sensor.

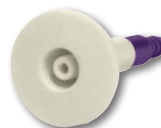
BAPI also offers a Ceiling Mount Square Cover that fits a standard 3/4" thick suspended ceiling tile, and a Low Profile Port that is ideal for locations where aesthetics are as important as the pressure measurement. The only visible portion is a flush 7/8" dot on the wall.



**BAPI-Stat  
"Quantum"  
Enclosure**



**Wall  
Plate**



**Low Profile  
Port**



**Ceiling Mount  
Square Cover**

*For more info, see pages C14-15*

