



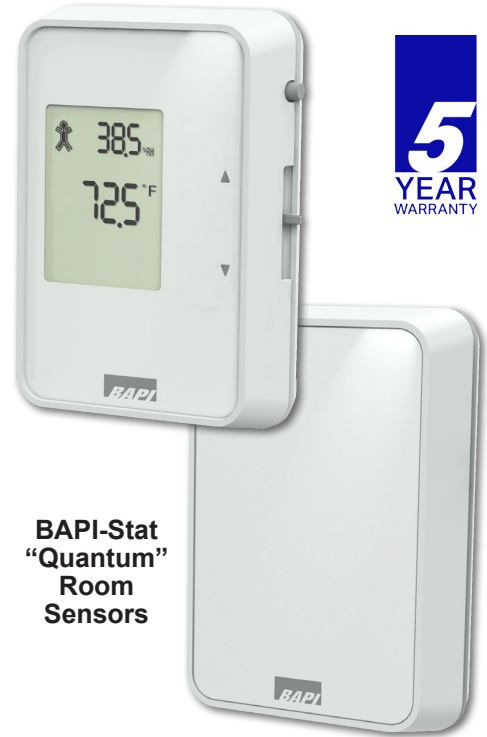
## Features & Options

- New, Modern Enclosure Style
- Optional Temperature Setpoint Adjustment and Occupant Override
- Temperature, Humidity and Room Occupancy Status Display
- Higher Contrast Display for Improved Clarity at Greater Distances

BAPI’s new BAPI-Stat Quantum room sensors feature a modern enclosure style with slider setpoint adjustment and occupancy override.

The optional LCD can display both temperature and humidity as well as room occupancy status. The display has been upgraded for higher contrast, providing improved clarity at greater distances.

The optional occupancy override can be configured in parallel with the sensor or setpoint, or as a separate output. An optional 3.5mm (1/8”), RJ11 or RJ22 Communication Jack can be mounted in the base to provide direct access to the network.



BAPI-Stat “Quantum” Room Sensors

## Specifications

**Power:**

12 to 35 VDC for 4 to 20 mA or 0 to 5 VDC Output  
 15 to 35 VDC for 0 to 10 VDC Output  
 15 to 28 VAC for 0 to 5 VDC or 0 to 10 VDC Output  
 (AC power requires a separate pair of shielded wires.)

**Power Consumption:**

20 mA max. for 4 to 20 mA Output  
 4 mA max. for 0 to 5 VDC and 0 to 10 VDC Output  
 0.1 VA max. for 0 to 5 VDC and 0 to 10 VDC Output

**RH/Temp Sensor Construction:**

Communicating Integrated Circuit

Humidity: Capacitive Polymer,  
 ±2%RH @ 25°C (77°F), 20 to 80%RH

Temp: Semi-conductor Band Gap,  
 ±0.3°C (±0.54°F) @ 20 to 40°C (68 to 104°F)

**Field Calibration Adjustment:**

±5% in 0.1% increments (Factory Calibrated)

**Optional Passive Temperature Sensor Accuracy:**

±0.36°F Thermistor, ±0.5°F RTD  
 (Higher accuracy available)

**Wiring:** 2 to 5 pair of 16 to 22 AWG\*

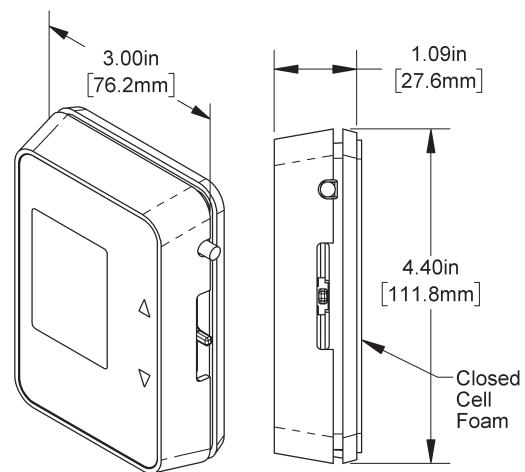
**Mounting:** Standard 2”x4” J-box or drywall mount - screws provided

**Environmental Operation Range:**

Temperature: 32 to 122 °F (0 to 50 °C)  
 Humidity: 0 to 95%, non-condensing

**Material & Rating:** ABS Plastic, UL 94, V-0

**Agency:** RoHS



\*BAPI recommends that you do not run wiring for the Room Units in the same conduit as line voltage wiring or with wiring used to supply highly inductive loads such as motors, generators and coils. Also, these units are not designed for line voltage applications.





# BAPI-Stat "Quantum" Humidity Sensors

## Humidity or Combination Temp/Humidity Sensors

Submittal sheets without List Prices are available on our website at [www.bapihvac.com](http://www.bapihvac.com)

### Ordering Information

\*Select humidity output within brackets to complete salesname. A = 4 to 20mA, B = 0 to 5V, C = 0 to 10V

#### HUMIDITY ONLY, NO DISPLAY UNITS

#### LIST PRICE

##### **BA/HQX-X-A-X-XX-X**

BAPI-Stat "Quantum" Room Humidity Sensor, No Display, Humidity Output 4 to 20mA..... \$260

##### **BA/HQX-X-B-X-XX-X**

BAPI-Stat "Quantum" Room Humidity Sensor, No Display, Humidity Output 0 to 5V ..... \$260

##### **BA/HQX-X-C-X-XX-X**

BAPI-Stat "Quantum" Room Humidity Sensor, No Display, Humidity Output 0 to 10V ..... \$260

#### UNITS WITH °F DISPLAY

##### **BA/HQF-X-[A/B/C]-X-XX-X**

BAPI-Stat "Quantum" Room Sensor w/ Display, Humidity Output see note\* ..... \$295

##### **BA/HQF-A-[A/B/C]-X-XX-X**

BAPI-Stat "Quantum" Room Sensor w/ °F Display, 1K RTD Temp Sensor, Humidity Output see note\* ..... \$320

##### **BA/HQF-B-[A/B/C]-X-XX-X**

BAPI-Stat "Quantum" Room Sensor w/ °F Display, 10K-2 Thermistor Temp Sensor, Humidity Output see note\* ... \$313

##### **BA/HQF-C-[A/B/C]-X-XX-X**

BAPI-Stat "Quantum" Room Sensor w/ °F Display, 10K-3 Thermistor Temp Sensor, Humidity Output see note\* ... \$313

#### UNITS WITH °F DISPLAY AND TEMP SETPOINT & OVERRIDE

##### **BA/HQF-A-[A/B/C]-1-D84-P**

BAPI-Stat "Quantum" Room Sensor w/ °F Display, 1K RTD Temp Sensor, Humidity Output see note\*,  
Temp Setpoint 10K to 30K Output at 55 to 85°F Range, Override in Parallel w/ Setpoint ..... \$331

##### **BA/HQF-B-[A/B/C]-1-D84-P**

BAPI-Stat "Quantum" Room Sensor w/ °F Display, 10K-2 Thermistor Temp Sensor, Humidity Output see note\*,  
Temp Setpoint 10K to 30K Output at 55 to 85°F Range, Override in Parallel w/ Setpoint ..... \$324

##### **BA/HQF-C-[A/B/C]-1-D84-P**

BAPI-Stat "Quantum" Room Sensor w/ °F Display, 10K-3 Thermistor Temp Sensor, Humidity Output see note\*,  
Temp Setpoint 10K to 30K Output at 55 to 85°F Range, Override in Parallel w/ Setpoint ..... \$324

#### UNITS WITH °C DISPLAY

##### **BA/HQC-X-[A/B/C]-X-XX-X**

BAPI-Stat "Quantum" Room Sensor w/ Display, Humidity Output see note\* ..... \$295

##### **BA/HQC-A-[A/B/C]-X-XX-X**

BAPI-Stat "Quantum" Room Sensor w/ °C Display, 1K RTD Temp Sensor, Humidity Output see note\* ..... \$320

##### **BA/HQC-B-[A/B/C]-X-XX-X**

BAPI-Stat "Quantum" Room Sensor w/ °C Display, 10K-2 Thermistor Temp Sensor, Humidity Output see note\*... \$313

##### **BA/HQC-C-[A/B/C]-X-XX-X**

BAPI-Stat "Quantum" Room Sensor w/ °C Display, 10K-3 Thermistor Temp Sensor, Humidity Output see note\*... \$313

#### UNITS WITH °C DISPLAY AND TEMP SETPOINT & OVERRIDE

##### **BA/HQC-A-[A/B/C]-1-D84-P**

BAPI-Stat "Quantum" Room Sensor w/ °C Display, 1K RTD Temp Sensor, Humidity Output see note\*,  
Temp Setpoint 10K to 30K Output at 13 to 30°C Range, Override in Parallel w/ Setpoint..... \$331

##### **BA/HQC-B-[A/B/C]-1-D84-P**

BAPI-Stat "Quantum" Room Sensor w/ °C Display, 10K-2 Thermistor Temp Sensor, Humidity Output see note\*,  
Temp Setpoint 10K to 30K Output at 13 to 30°C Range, Override in Parallel w/ Setpoint..... \$324

##### **BA/HQC-C-[A/B/C]-1-D84-P**

BAPI-Stat "Quantum" Room Sensor w/ °C Display, 10K-3 Thermistor Temp Sensor, Humidity Output see note\*,  
Temp Setpoint 10K to 30K Output at 13 to 30°C Range, Override in Parallel w/ Setpoint..... \$324

Call for additional options not listed above. Common Ground configuration is the default.

