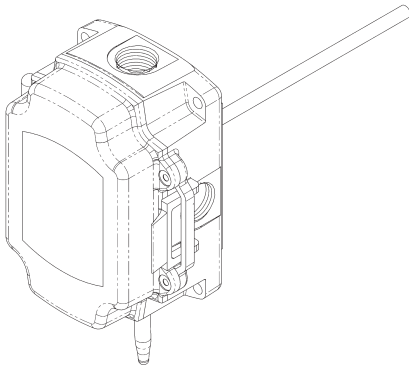
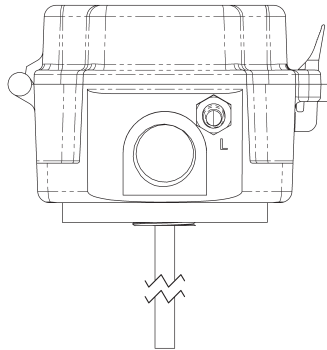


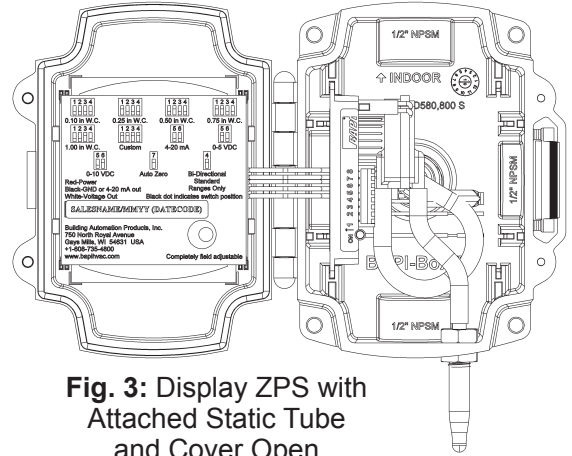
### Product Identification



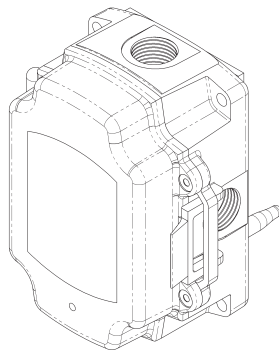
**Fig. 1:** Non-Display ZPS with Attached Static Tube



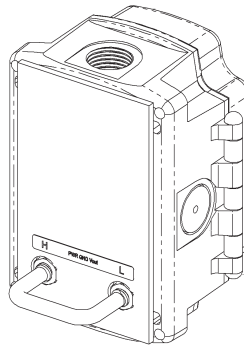
**Fig. 2:** End view of ZPS with Attached Static Tube



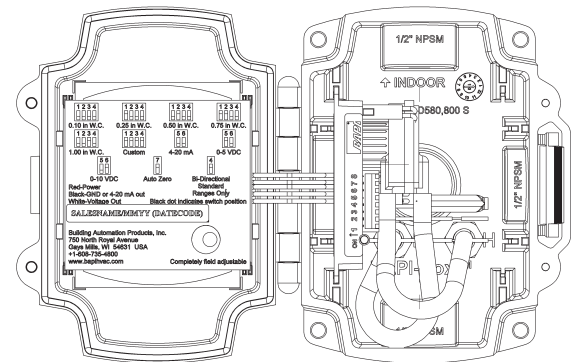
**Fig. 3:** Display ZPS with Attached Static Tube and Cover Open



**Fig. 4:** Non-Display ZPS with Back Mount



**Fig. 5:** Rear View of ZPS with Back Mount



**Fig. 6:** Display ZPS with Back Mount and Cover Open

### Specifications

**Power:**

7 to 40 VDC (4 to 20 mA Output)  
7 to 40 VDC or 18 to 28 VAC (0 to 5 VDC Output)  
13 to 40 VDC or 18 to 28 VAC (0 to 10 VDC Output)

**Power Consumption:**

20 mA max, DC only at 4 to 20 mA Output  
4.9 mA max DC at 0 to 5 VDC or 0 to 10 VDC Output  
0.12 VA max AC at 0 to 5 VDC or 0 to 10 VDC Output

**Load Resistance:**

4 to 20 mA Output 850 Ω Maximum @ 24 VDC  
0 to 5 VDC or 0 to 10 VDC output 1KΩ minimum

**Accuracy at 72°F:**

±0.5% of range 0 to 0.1", 0 to 0.25", ±0.1" and ±0.25" ranges  
±0.5% of range 0 to 30 Pa, 0 to 50 Pa, ±30 Pa and ±50 Pa ranges  
±0.25% of range all other ranges

**Stability:** ±0.25% F.S. per year

**Temperature Error:**

0.04% FS/°F (0.07% FS/°C)  
(±1.0" W.C. @ 14 to 140°F [-10 to 60°C])

**Env. Operating Range:** 14 to 140°F (-10 to 60°C)

**Storage Temperature:** -40 to 203°F (-40 to 95°C)

**Overpressure:** Proof: 27.68 in. W.C. (1 PSI),  
Burst: 41.52 in. W.C. (1.5 PSI)

**Wiring:** 2 wires (4 to 20mA Current loop)\*  
3 wires (AC or DC powered, Voltage out)\*

**Humidity:** 0 to 95% RH, non-condensing

**Port Connection:**

1 High Pressure & 1 Low Pressure for push-on  
1/4-inch tubing (1/8" to 3/16" I.D.)

**Encl. Material:** UV-resistant Polycarbonate, UL94, V-0

**Enclosure Rating:** IP66, NEMA 4

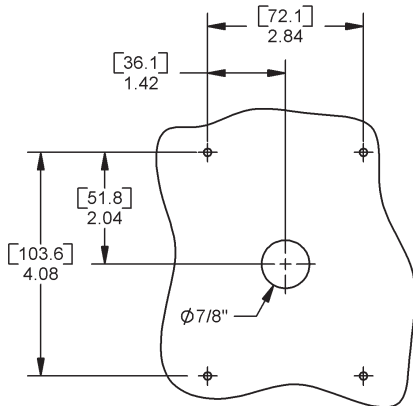
**Mounting:** Four external tabs with holes for #10 screws

Table 1: Pressure Ranges

Inches Unit				Pascal Unit			
Range	Pressure	Range	Pressure	Range	Pressure	Range	Pressure
51	0 to 0.10 in W.C.	56	± 0.10 in W.C.	61	0 to 30 Pa	66	± 30 Pa
52	0 to 0.25 in W.C.	57	± 0.25 in W.C.	62	0 to 50 Pa	67	± 50 Pa
53	0 to 0.50 in W.C.	58	± 0.50 in W.C.	63	0 to 100 Pa	68	± 100 Pa
54	0 to 0.75 in W.C.	59	± 0.75 in W.C.	64	0 to 175 Pa	69	± 175 Pa
55	0 to 1.00 in W.C.	60	± 1.00 in W.C.	65	0 to 250 Pa	70	± 250 Pa

Specifications subject to change without notice.

### Mounting

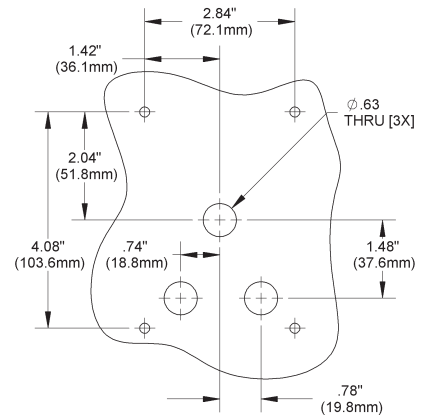


**Fig. 7:** Mounting Hole Pattern for Attached Tube

**Note:** BAPI recommends using #10 screws that require 5/32" pilot holes.

Attach the unit to its mounting surface with four #10 screws through the holes in the mounting feet. The preferred mounting orientation is with the pressure ports facing down.

**Note:** Remove Blue Dust Shield from the pressure port of Attached Static Tube units before use. Push tubing onto the port nipple. Avoid kinks and holes in the tubing or accuracy will be affected.



**Fig. 8:** Mounting Hole Pattern for Back Mount

**Note:** BAPI recommends using #10 screws that require 5/32" pilot holes.

### Output Termination



BAPI recommends wiring the product with power disconnected. Proper supply voltage, polarity and wiring connections are important to a successful installation. Not observing these recommendations may damage the product and void the warranty.

**Table 1: EZ Pressure Sensor Termination**

Output Signal	Red Wire (V+)	Black Wire (Gnd or 4-20mA Return)	White Wire (Voltage Output)
4 to 20 mA	7 to 40 VDC	4 to 20 mA Signal To Controller Analog Input	Not Used
0 to 5 VDC	7 to 40 VDC or 18 to 28 VAC	To Controller Ground	0 to 5 VDC Signal To Controller Analog Input
0 to 10 VDC	13 to 40 VDC or 18 to 28 VAC	To Controller Ground	0 to 10 VDC Signal To Controller Analog Inpu

#### Current Loop Wiring:

4 to 20 mA is "two wire" operation. The ZPS's red wire connects to a positive direct current voltage of 7 to 40 VDC. The black wire becomes the return of the 4 to 20 mA signal. The white wire is not used but must be insulated from accidental contact with ground or any other potential. For 4 to 20 mA signaling, only direct current can be used to power the ZPS.

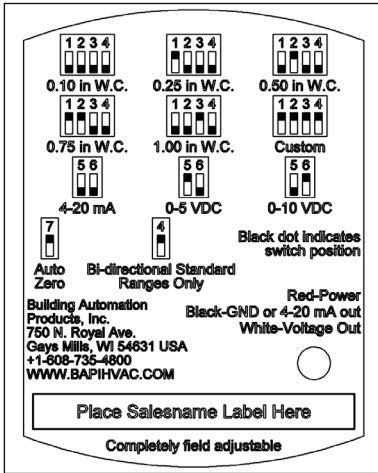
#### Voltage Output Wiring:

0 to 5 V or 0 to 10 V is "three wire" operation. The ZPS's red wire connects to either 7 to 40 VDC or 18 to 28 VAC for 0 to 5 VDC output or 13 to 40 VDC or 18 to 28 VAC for 0 to 10 VDC output. The black wire is connected to ground and the white wire is connected to an analog input of the controller. BAPI insulates the white wire in the factory before shipping, so remove the connector and strip the insulation from the white wire as desired.

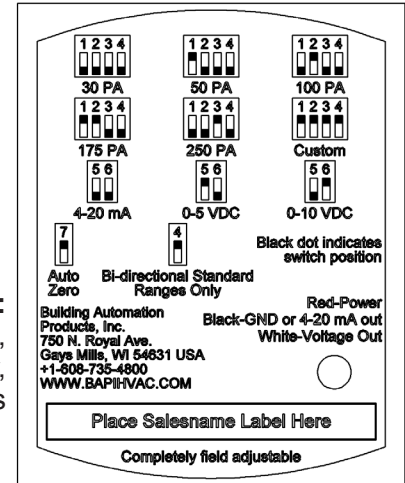
To ensure that all wires are properly terminated, twist the stripped ends of each circuit together before inserting into the splice terminals. Gently tug on the wire after terminating to make sure of a good connection. If the wire comes out of the termination, repeat the splice procedure.

Specifications subject to change without notice.

### Dip Switch Settings - Inches and Pascals for No Display Units

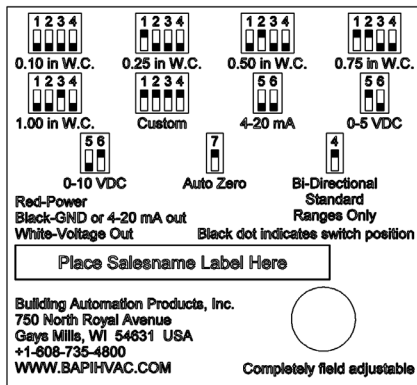


**Figure 9:**  
DIP Switch Settings,  
ZPS with No Display,  
Inches W.C.

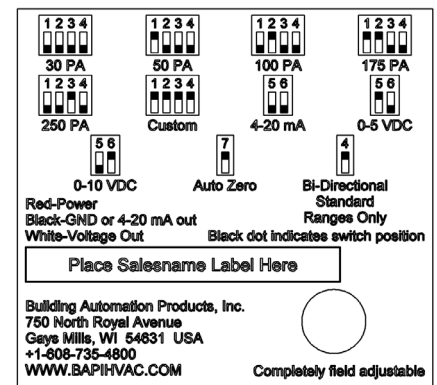


**Figure 10:**  
DIP Switch Settings,  
ZPS with No Display,  
Pascals

### Dip Switch Settings - Inches and Pascals for Display Units



**Figure 11:**  
DIP Switch Settings,  
ZPS with Display,  
Inches W.C.



**Figure 12:**  
DIP Switch Settings,  
ZPS with Display,  
Pascals

### Pressure Range Select

To adjust the pressure range, set dip switches 1-4 to the desired pressure range using the the label found inside the cover of the ZPS unit (See Figures 9-12). Moving the Bi-Directional dip switch (#4) to the up position doubles the pressure range. For example, the 0 to 2.5" W.C. range becomes -2.5" to 2.5" W.C. if the Bi-Directional dip switch is in the up position.

**Note:** If any of the switches are placed in an undefined combination the LED will fast blink and the output will be forced to 4mA or zero volts.

### Output Range Select

To adjust the output range, set dip switches 5 & 6 to the desired output range using the the label found inside the cover of the ZPS unit (or shown on pgs 2 and 3).

**Note:** If any of the switches are placed in an undefined combination the LED will fast blink and the output will be forced to 4mA or zero volts.

Specifications subject to change without notice.

### Auto-Zero Select

To auto-zero the BAPI ZPS, remove the tubing from the pressure ports (to remove the normal pressure source). Make sure that the pressure ports are sheltered from any drafts, including the technician's breath. Ideally the two ports should be connected together with a short piece of tubing.

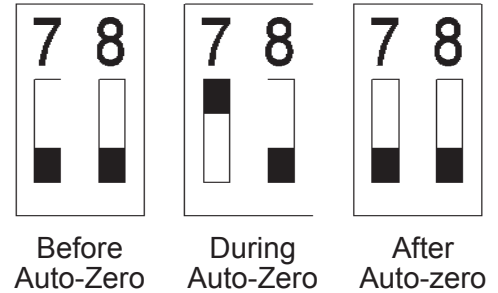
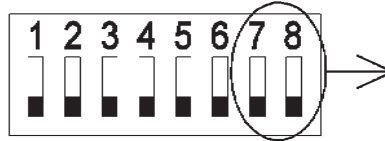


Fig. 13: Auto-Zero Switch 7

Turn on switch 7 to start the auto-zero process. Switches 1 through 6 may be in any allowed configuration. The LED will blink at a fast rate and the output will be forced to zero (4mA or 0V) while the auto-zero is being performed. When the LED blinks at a slow rate, turn off switch 7 and reconnect the pressure source.

**Note:** Switch 8 is reserved for Factory use, leave in the off position.

### Troubleshooting

**PROBLEMS:**

LED does not light

LED is blinking fast  
(1/2 second on, 1/2 second off)

Output stuck (high or low)

Output not tracking pressure properly

**POSSIBLE SOLUTIONS:**

- Check power connections for proper power

- The unit may be performing an auto-zero. Wait 10 seconds and check again.
- The dip switches are in an unsupported configuration, check the dip switch settings, both pressure and output, and change them to ranges desired

- Remove pressure from ports and perform auto-zero procedure

- Check dip switches for proper pressure range selection
- Check dip switches for proper output range selection

### LED Operation

LED off	No Power
LED Blinking 1/2 sec on, 1/2 sec off	Auto-zero or dip switch in undefined configuration
LED on	Normal operation
LED Blinking 1/2 sec on, 4 sec off	Auto-zero complete

Specifications subject to change without notice.